

INTEX® OWNER'S MANUAL

SOLAR COVER REEL

**338
PO**

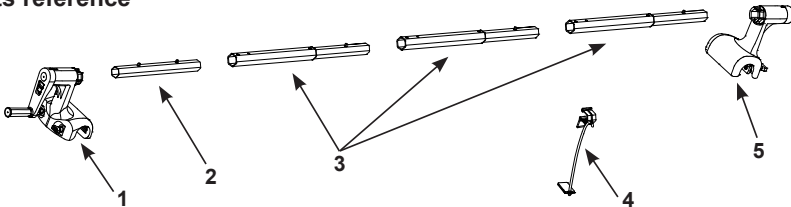
Please read, understand, and follow all instructions carefully before installing and using this product.

⚠ WARNING

- Assembly and disassembly by adults only.
- Solar cover is not a safety cover.
- Never grab, seat, pull, push or lean on the solar cover reel at any time.
- Ensure all the clamp screws are securely attached and tighten.
- Solar cover and solar cover reel assembly must be completely removed before entry into the pool. Never swim in a pool partially covered with a solar cover.
- Solar cover reel is designed to remove solar cover only and is not designed to support people or any other weight.
- Never attempt to operate the reel while in the pool.
- Always check that no persons are in the pool before unrolling the solar cover.
- Check periodically that the reel is properly secured on the pool frame.
- This product is intended to be used only for the purposes described in the manual.

FAILURE TO FOLLOW THESE WARNINGS AND THE ASSEMBLY AND USE INSTRUCTIONS MAY RESULT IN SERIOUS INJURY, DROWNING OR PROPERTY DAMAGE.

Parts reference



REF. NO.	DESCRIPTION	QTY.	SPARE PARTS NO.
1	Axle with crank handle	1	12671
2	Aluminum pipe A	1	12672
3	Aluminum pipe B	3	12673
4	C-clip	6	12674
5	Axle end	1	12675

Note: Drawings for illustration purposes only. Actual product may vary. Not to scale.

Due to a policy of continuous product improvement, Intex reserves the right to change specifications and appearance, which may result in updates to the instruction manual, without notice.

©2017 Intex Marketing Ltd. - Intex Development Co. Ltd. - Intex Trading Ltd. - Intex Recreation Corp. All rights reserved/Tous droits réservés/Todos los derechos reservados/Alle Rechte vorbehalten. Printed in China/Imprimé en Chine/Impreso en China/Gedruckt in China.

®™ Trademarks used in some countries of the world under license from/®™ Marques utilisées dans certains pays sous licence de/Marcas registradas utilizadas en algunos países del mundo bajo licencia de/Warenzeichen verwendet in einigen Ländern der Welt in Lizenz von/Intex Marketing Ltd. to/à/a/an Intex Trading Ltd., Intex Development Co. Ltd., G.P.O. Box 28829, Hong Kong & Intex Recreation Corp., P.O. Box 1440, Long Beach, CA 90801 - Distributed in the European Union by/Distribué dans l'Union Européenne par/Distribuido en la Unión Europea por/Vertrieb in der Europäischen Union durch/Intex Trading B.V., Venneveld 9, 4705 RR Roosendaal - The Netherlands
www.intexcorp.com

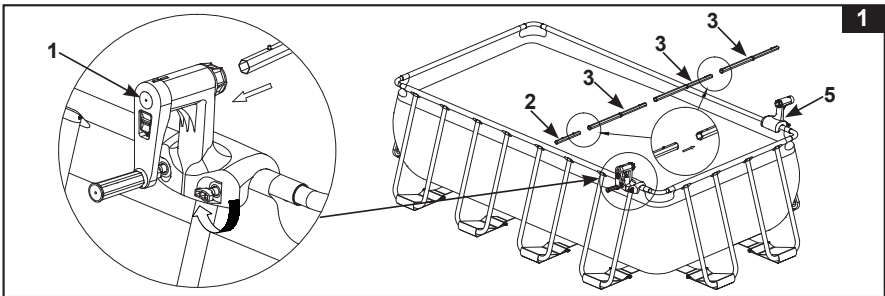
SAVE THESE INSTRUCTIONS

General

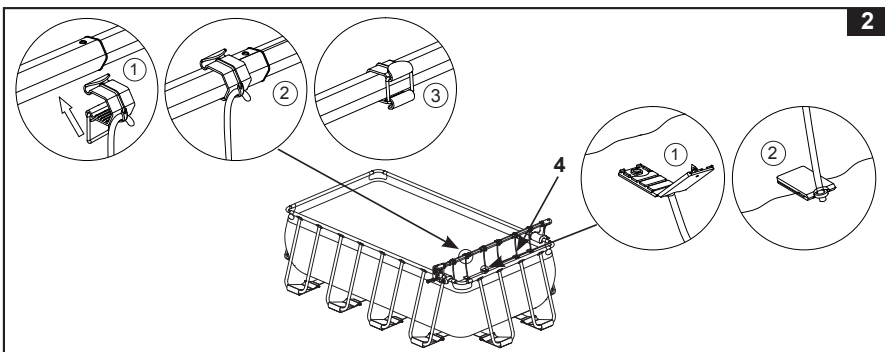
- No tools are required for the assembly.
- Two adults are recommended for the installation and operation of the solar cover reel.
- Fits Intex rectangular frame pools with a width from 2.74m to 4.88m (9' to 16').
- Make sure the pool is setup, filled with water first and the solar cover (not included) is placed on the water surface with the bubbles facing down.
- Remove the solar cover reel from the pool before placing a debris pool cover.
- Always lock the crank handle before removing the rolled up solar cover and reel from the pool.
- Store the product indoors when not in use.

Setup instructions:

1. Place the axles (**1 & 5**) at either end of the rectangular frame pool long sides. Tighten the clamp screws securely by hand. See fig 1.
2. Assemble the aluminum pipes (**2 & 3**) according to the width of the pool. Adjust the overall length and make sure the spring pins are snapped into the respective holes. For smaller pool sizes, you may not use all the aluminum pipes assembly into the axles (**1 & 5**). See fig 1.



3. Attach the "C" end of the C-clip (**4**) onto the aluminum pipe assembly. Make sure the C-clips (**4**) are equally spaced along the aluminum pipe assembly. Attached the clip end to the edge of the solar cover. See fig 2.

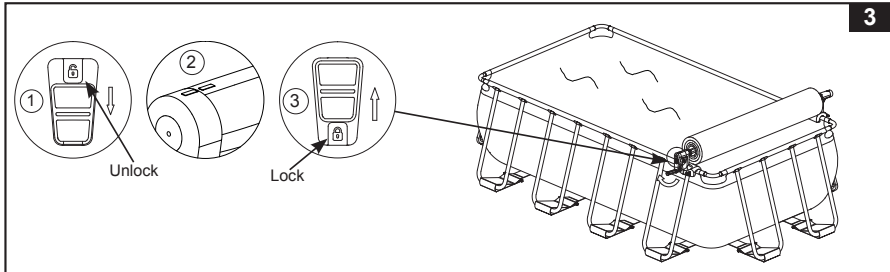


SAVE THESE INSTRUCTIONS

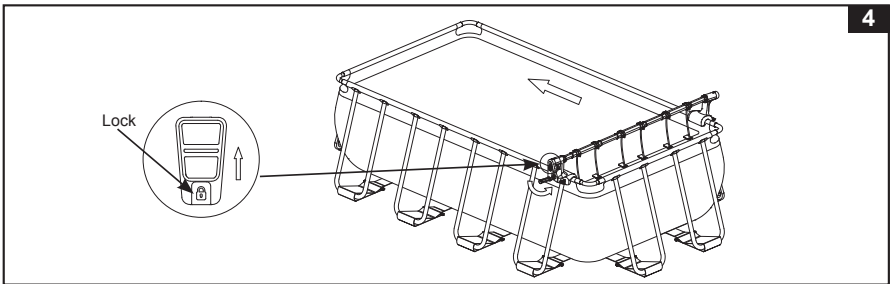
Operation instructions:

Two adults are needed to operate the solar cover reel, one at either side of the solar cover reel.

- 1. Roll-up the solar cover:** unlock the crank handle by pushing down the lock/unlock device on the handle. Turn the handle clockwise, the solar cover will be lifted up and over the aluminum pipe assembly. Make sure the solar cover is removed from the pool uniformly onto the aluminum pipe. Straighten the solar cover so that it remains smooth and wrinkle-free during roll-up. When the solar cover is completely rolled-up, align the crank handle mark with the axle mark and lock the handle by pushing up the lock/unlock device. See fig 3.



- 2. Roll-out the solar cover:** unlock the crank handle by pushing down the lock/unlock device on the handle. Turn the handle counter-clockwise until the solar cover makes contact with the pool water. Grab the edge of solar cover at both sides and walk slowly down the pool to the end. Roll-out 1.2 – 1.8 m (4 – 6 ft) of solar cover at a time. Make sure the solar cover is resting on the water surface. Align the crank handle mark with the axle mark and lock the handle by pushing up the lock/unlock device. See fig 4.

**Maintenance and Long Term Storage**

1. Regularly check all components for sign of damage and straining. Discard and replace damaged components immediately.
2. Use a sponge and clean water to wipe away any soil or stains.
3. Disassemble the product when the temperature drops below 5°C (41°F) by reversing the above setup instructions and make sure all components are completely dry before storage.
4. Store the product in a dry, temperature controlled, between 0° – 40°C (32° – 104°F), storage location.
5. The original packing can be used for storage.

SAVE THESE INSTRUCTIONS